



Description

Flashware Preset Controller is microprocessor based Instrument that can be used in a variety of applications ranging from single loop controllers to communication interface servers supporting GPRS/GPS communications.

Features

- Singe/Dual pulse meter Inputs
- Programmable valve control
- User-configurable inputs and outputs
- Automatic temperature, pressure compensation and density calculation
- Four communications ports
- Two way data communication
- Automatic flow control
- Explosion-proof
- Grounding and overflow protection
- GPRS connection(optional)
- GPS connection(optional)

Applications

Applications include single loop load controller, operator interface, 3rd party smart device interface, Weighbridge interface controller, GPRS/GPS device server supporting multiple communication protocols.

Technical Specifications

Microprocessor:

32 Bit, 33 MHz Renesas M32C series Microcontroller

Flash programming (Flash Design Kit)

1K EEPROM (External)

4K Data Flash Memory

Real Time Clock

384 Kbytes flash program memory (program & erase endurance=100 times)

24 Kbytes RAM

Instrument Power:

24Vdc \pm 10, 20 W maximum

DC Inputs:

Type: Optically-isolated solid state voltage sensor.

Input Voltage: 24 VDC

Input Current: 8 mA sink

Total Number of DC Inputs: 8

Pulse Inputs:

Type High speed, edge triggered optically-isolated solid state input

Frequency Range: 1 MHz

Duty Cycle: 50/50 (on/off)

V (High): 18 V DC minimum to 24 V DC

V (Low): 5 V DC maximum

Input Impedance: 1.8 K

Total number of Pulse Inputs: 2

DC Outputs:

Type Optically-isolated solid state output

Load Current: 100 mA sink or source

Switch blocking voltage= 24 V DC maximum

Total Number of DC Outputs=4

High Speed DC Outputs:

Type Optically-isolated solid state output

Load Current: 100 mA sink or source

Switch blocking voltage= 24 V DC

Pulse Output Frequency: 500 kHz Max.

Total Number of High Speed DC Outputs=2

Function: Factory programmed as Pulse Output or DC Output

Serial Communication Ports:

Number of Ports: Four RS485 or RS232C serial communication as specified on order.

Type: Optically-isolated Transmit and Receive data lines.

Address Space: 0 to 62. Dip switch selectable.

Data Rate: 2400 / 4800 / 9600 / 38400 bbs. Dip switch selectable

Data Format: Programmable

Line Protocol: Full Duplex, FMC Smith Protocol, Modbus RTU, GPRS

Environment:

Ambient Operating Temperature:

-40°C to 60°C

Approvals:

⊕GD Ex dIIBTG FTZU06 ATEX 0239

Electromagnetic Compatibility:

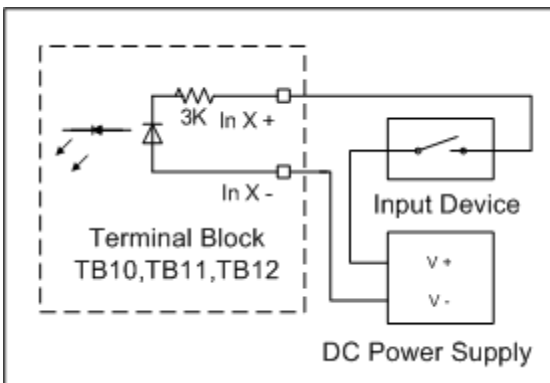
EN 61800-3:2005, Category C3

EN 55011:2007

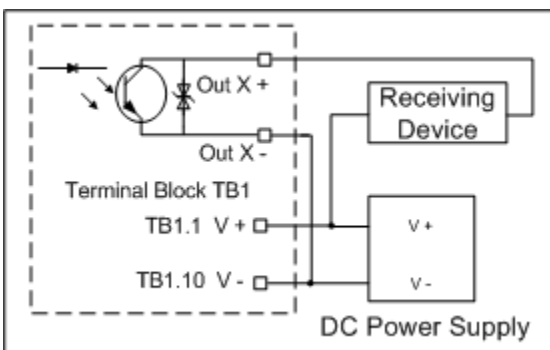
EN 55022

Sample Connections:

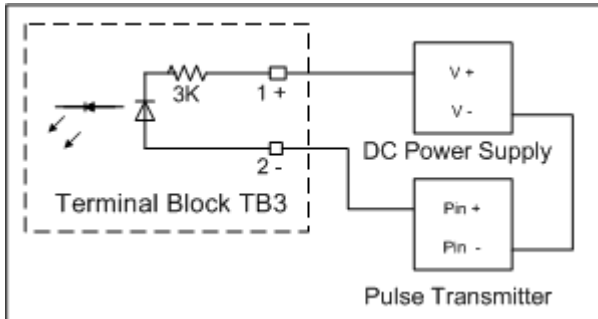
DC Inputs:



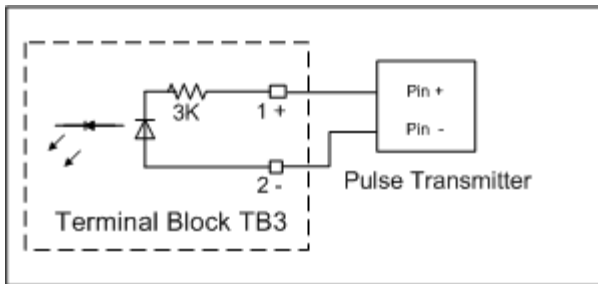
DC Outputs:



Pulse Inputs:

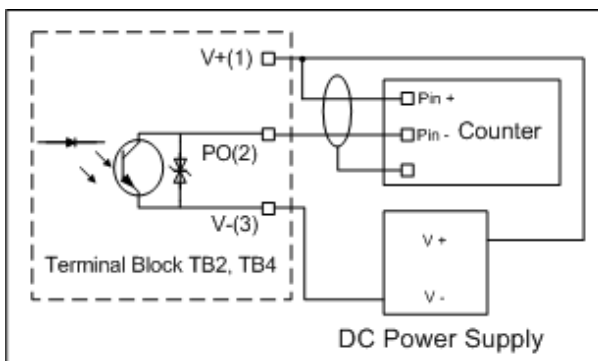


Pulse input wiring, open collector output



Pulse input wiring, self-powered transmitter

Pulse Outputs

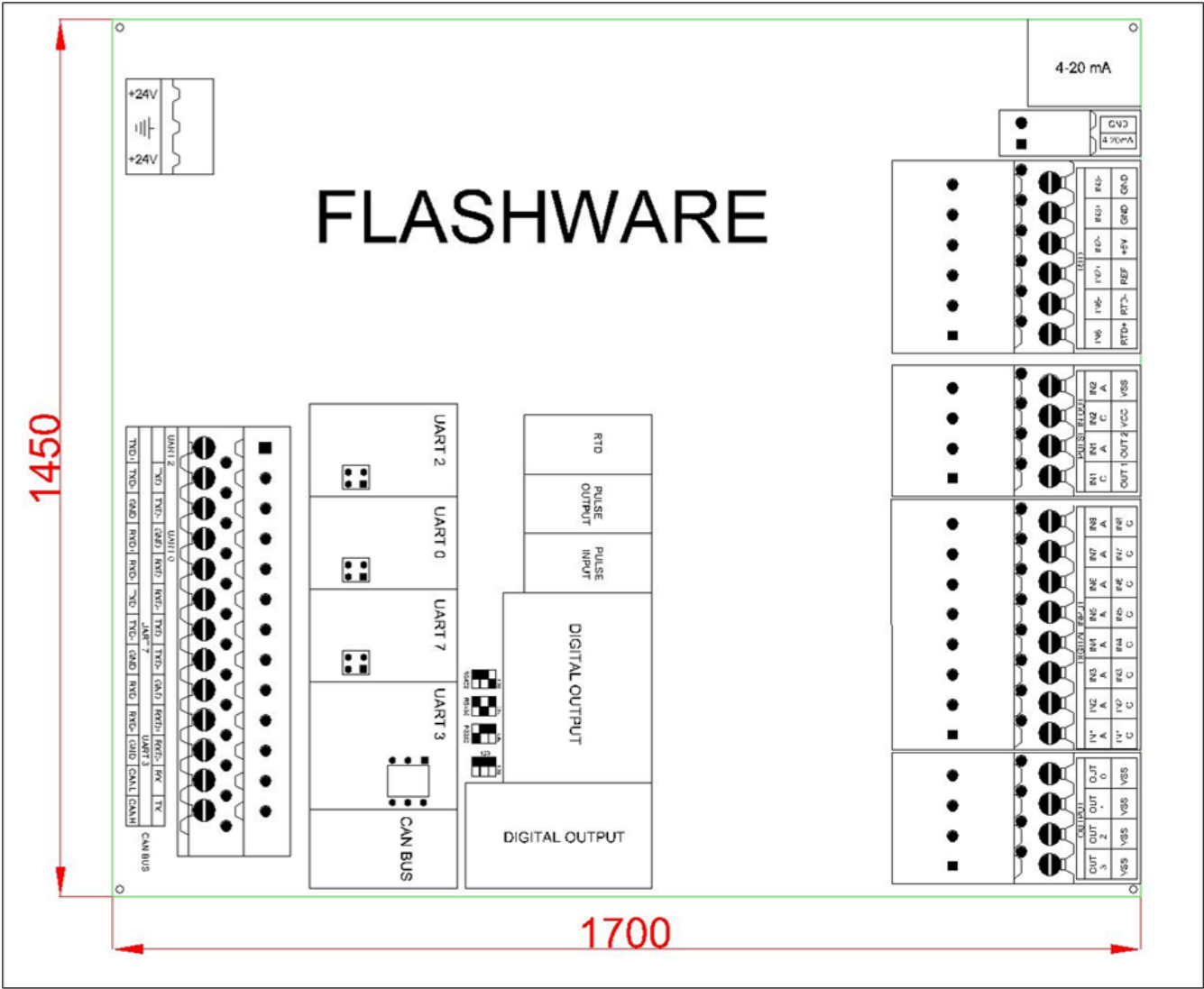
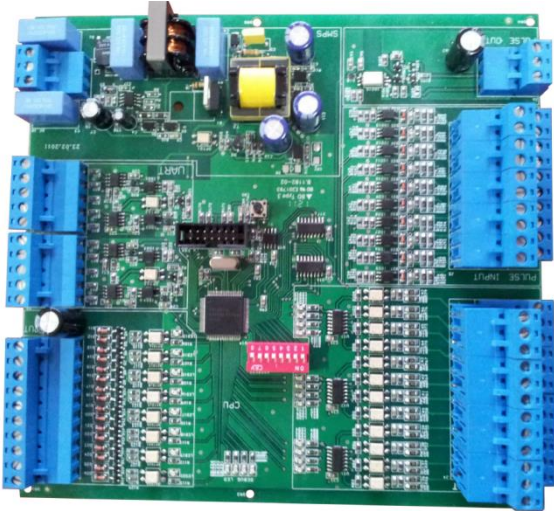


Flashware® Preset Controller

Issue/Rev. 0.2 (05.06.12)

Bulletin FW060403

Electronic Board Layout-top view:



Flashware® Preset Controller

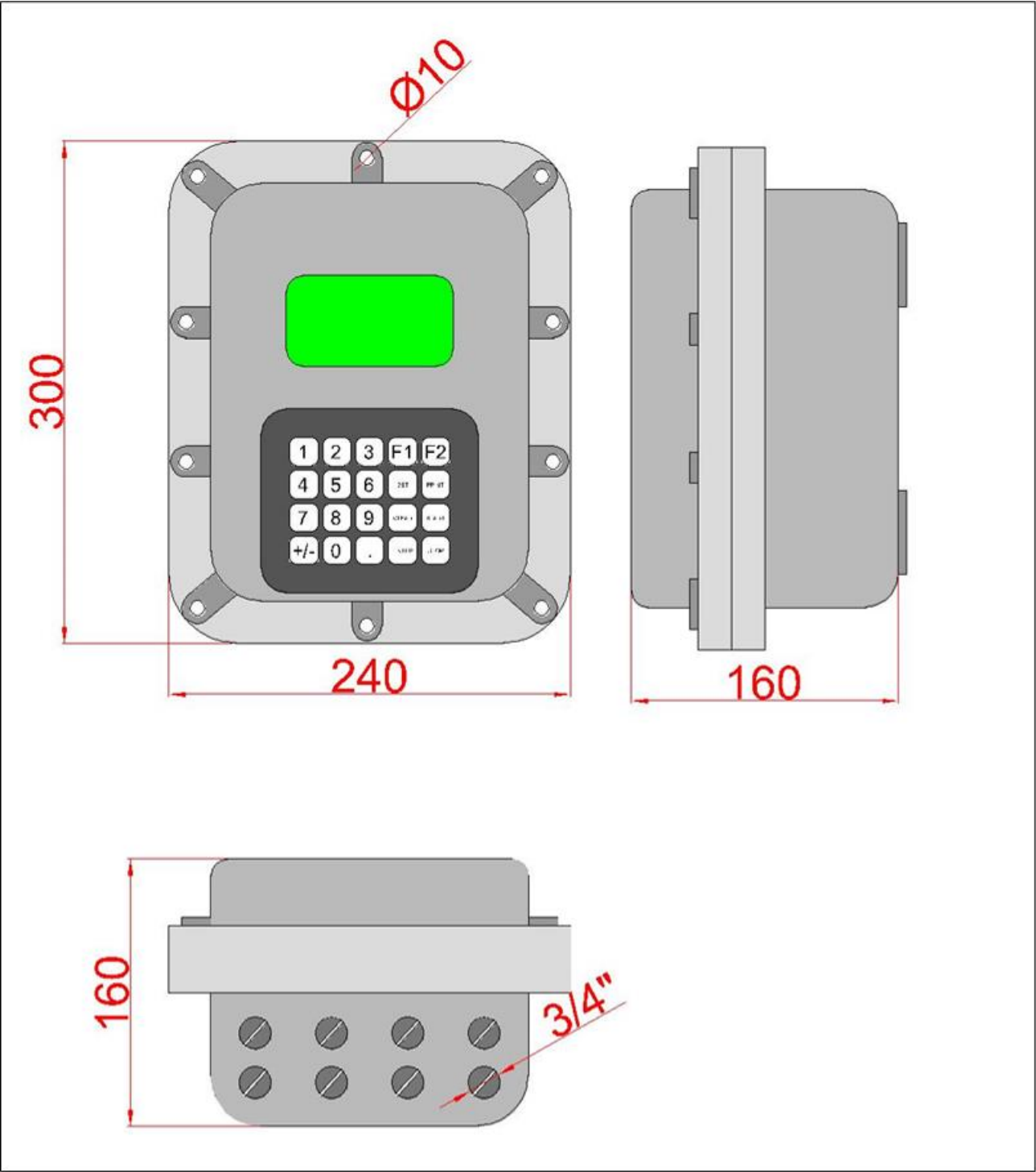


Figure 1- Explosion-Proof Housing

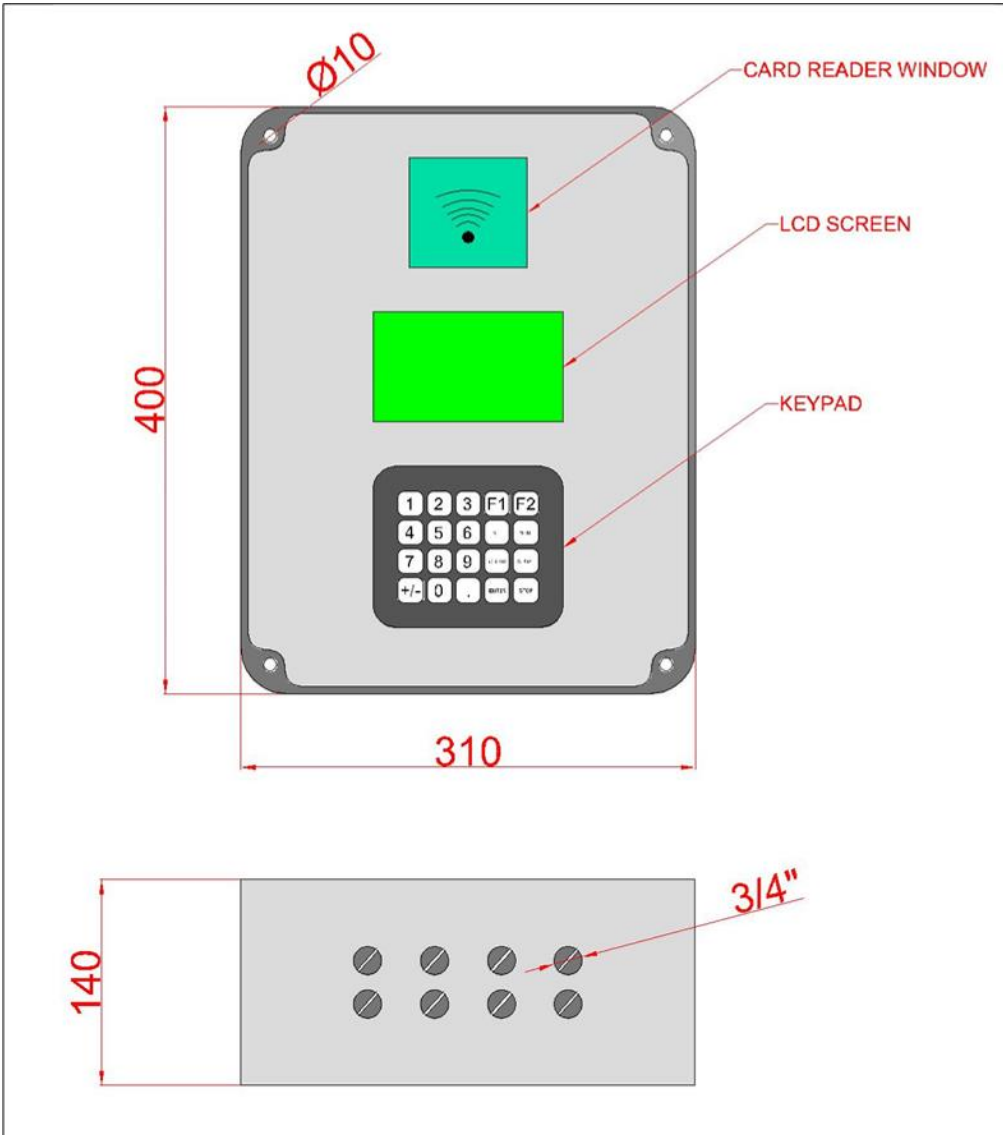


Figure 2- Standard Housing

Mega

Endüstri Kontrol Sistemleri

Mega Endüstri Kontrol Sistemleri Tic. Ltd.Şti.

Yaşamkent Mah. 3207. Cadde 3204. Sk. No:8

06810 Çayyolu, Ankara, TÜRKİYE

Tel :+90 (312) 217 3288

Fax :+90 (312) 217 3388

megaendustri@megaendustri.com.tr

www.megaendustri.com.tr